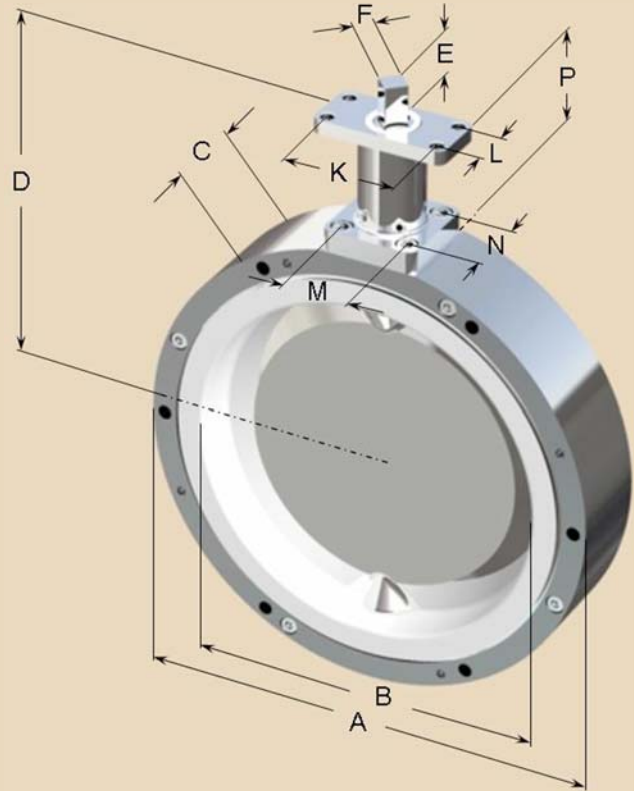
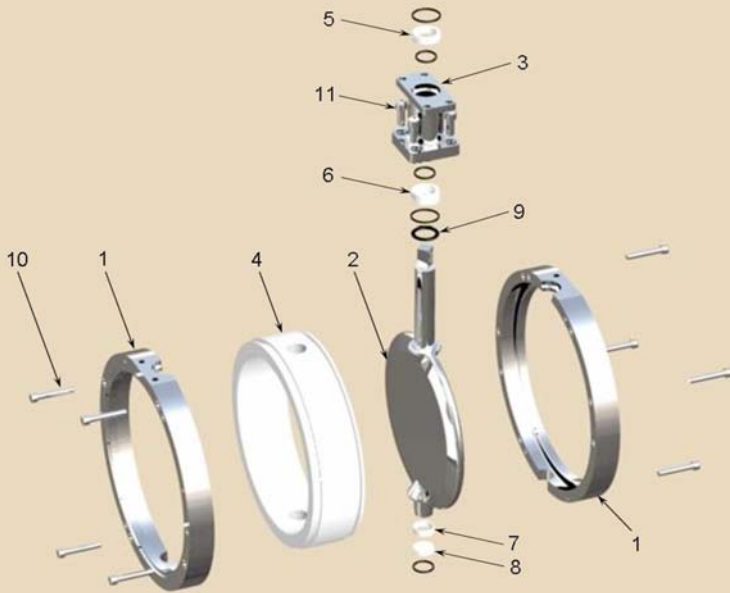


Valve Construction



No.	Part Name	Material
1	Half Body	316 Stainless Steel
2	Disc Stem	CD4MCU Stainless Steel
3	Neck	316 Stainless Steel
4	Seat	White FDA Buna-N
5	Top Bush	Ertalyte
6	Middle Bush	Ertalyte
7	Bottom Bush	Ertalyte
8	Bottom Plug	Ertalyte
9	'O'-Ring	Buna-N
10	Hexagonal Socket Head Screw for Body	316 Stainless Steel
11	Hexagonal Socket Head Screw for Neck	316 Stainless Steel

Dimensional Data for Assembly

Valve Size		A	B	C	D	E	F
inch	mm	Dia.	Dia.				
8	200	10.675	7.900	2.525	8.360	1.185	.625
10	250	12.915	9.790	2.680	9.772	1.117	.625
12	300	14.800	11.720	3.070	12.375	1.250	.750

Dimensional Data for Neck

Valve Size		K	L	M	N	P
inch	mm					
8	200	3.145	1.175	1.640	1.640	3.150
10	250	3.145	1.175	1.875	1.875	3.465
12	300	3.149	1.181	2.140	2.140	5.125



Making a big difference to your bottom line
11172 State Hwy O · Mineral Point, Missouri 63660

1-800-382-1604

(573) 438-5000 · Fax (573) 438-4853

www.suresealinc.com

email – ssi@suresealinc.com

The data represented in this flyer is for general information only. Manufacturer is not responsible for acceptability of these products in regard to individual system requirements. For specific performance data and correct materials selection, please contact your Sure Seal Dealer. ©2006 Sure Seal, Incorporated · Printed in the USA