

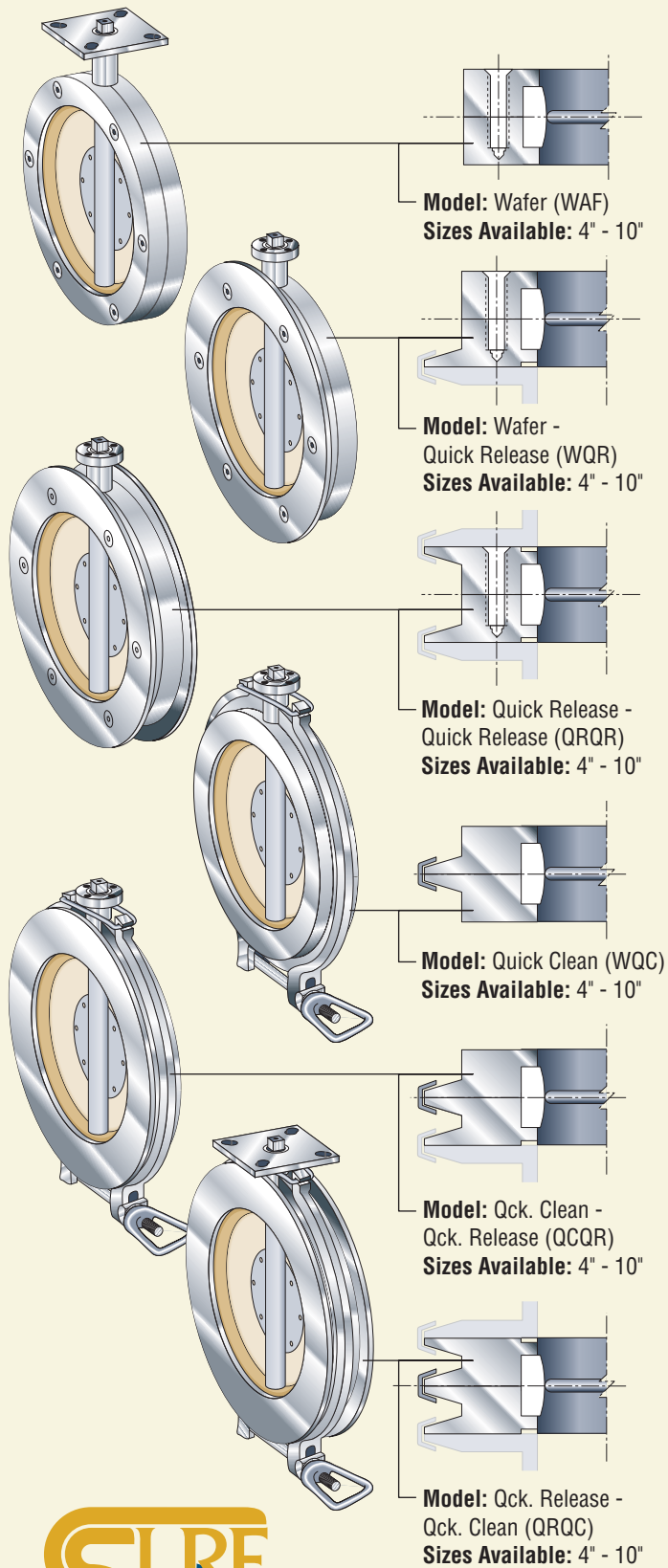
896 Series

Tablet Valves

*A cost effective
answer to the
Pharmaceutical
Industry*

Introducing
The 896 Tablet Valve
from Sure Seal





Standard Applications

	Model: Wafer - Quick Clean - Welded Spigot	Type: WQC-S
	Model: Wafer - Welded Spigot	Type: WAF-S
	Model: Wafer - Qck. Release - Mnt. Flange - Clamp Band	Type: WQR-MF-B
	Model: Wafer - Qck. Clean - Qck. Release - Mount Flange - Clamp Band	Type: QCQR-MF-B
	Model: Wafer - Two Clamp Flanges	Type: WAF-2F

Half Bodies

	Model: Wafer	Type: BW
	Model: Quick Release	Type: QR
	Model: Wafer, Quick Clean	Type: WC
	Model: Quick Clean, Quick Release	Type: RC

Accessories

	Model: Double Acting Actuator, Pneumatic or Spring Return	Type: DA, SR
	Model: Hand Lever with Locking Pin	Type: L
	Model: Clamp Band	Type: B
	Model: Blanking Plate	Type: P
	Model: Mounting Flange	Type: MF
	Model: Welding Spigot	Type: S



Making a big difference to your bottom line.

Rt. 2, Box 2242 • Mineral Point, Missouri 63660

1-800-382-1604

(573) 438-5000 • Fx (573) 438-4853 • www.suresealinc.com • e-mail: ssi@suresealinc.com

The data represented in this brochure is for general information only and subject to change without notice. Manufacturer is not responsible for acceptability of these products in regard to individual system requirements. For specific performance data and correct materials selection, please contact your Sure Seal Dealer. ©2002 Sure Seal, Incorporated • Printed in USA.