

# We make **PRESSURE** decisions easy.

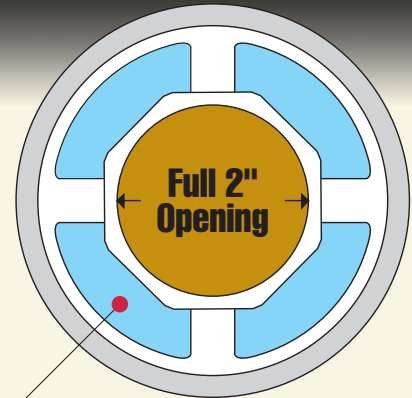


With Sure Seal's Pressure Release Valves you get **MORE STANDARD FEATURES** and quality construction **AT LESS COST.** See we told you it was easy.

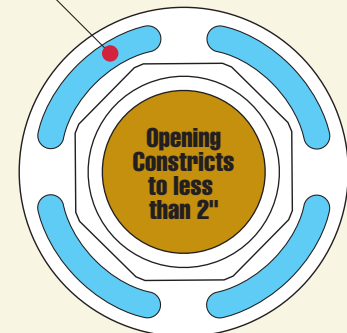
## compare the features

	Competition	Sure Seal
Full 2" opening on a 2" valve	<b>NO</b>	<b>YES</b>
Factory machined cam lock	<b>NO</b>	<b>YES</b>
Available in Male, Female or Cam lock connections as a standard feature with no additional cost	<b>NO</b>	<b>YES</b>
Hard anodized threads standard to prevent gaulding	<b>NO</b>	<b>YES</b>
Oversized exhaust ports	<b>NO</b>	<b>YES</b>
Metal to metal valve seat with replaceable o-ring secondary seal	<b>NO</b>	<b>YES</b>
Set pressure tolerance: +1 psi / -0 psi	<b>NO</b>	<b>YES</b>
Optional high temperature for 450° service and 17-7 Stainless Steel spring	<b>NO</b>	<b>YES</b>
Internally date stamp	<b>NO</b>	<b>YES</b>
Manual, fixed, or adjustable pressure rating of	<b>NO</b>	<b>YES</b>

## Sure Seal



## Competition



SURE SEAL INCORPORATED IS PROUD TO BE



11172 State Highway 0 • Mineral Point, Missouri 63660 • (573) 438-5000 • Fx (573) 438-4853  
www.suresealinc.com • ssi@suresealinc.com



**1-800-382-1604**

# HOW DO YOU SPELL RELIEF VALVE?

**S-U-R-E S-E-A-L!**  
**Expect more, get more.**

**Finally a pressure relief valve designed for the tank trailer industry.** Sure Seal Incorporated announces its new 2" pressure relief valve. Let's spell out the benefits:

- A full 2" opening insuring non-constricted air flow. You pay for a 2" valve, why not get one?
- The only factory machined quick cam lock in the industry. No fittings or couplers to buy adding expense and length to your valve. **Also available with male or female hard anodized threads.**
- Oversized exhaust holes to prevent clogging during discharge of dry materials.
- Available with high temperature rated materials providing protection up to 450° F.
- O-ring seal on valve seat ensures a tight seal and an inexpensive replacement.
- Available in fixed pressure or adjustable from 5-30 psi.
- Tamper proof seals.
- Each valve is tested to 100% of its rated pressure as are all Sure Seal valves, at no extra cost.

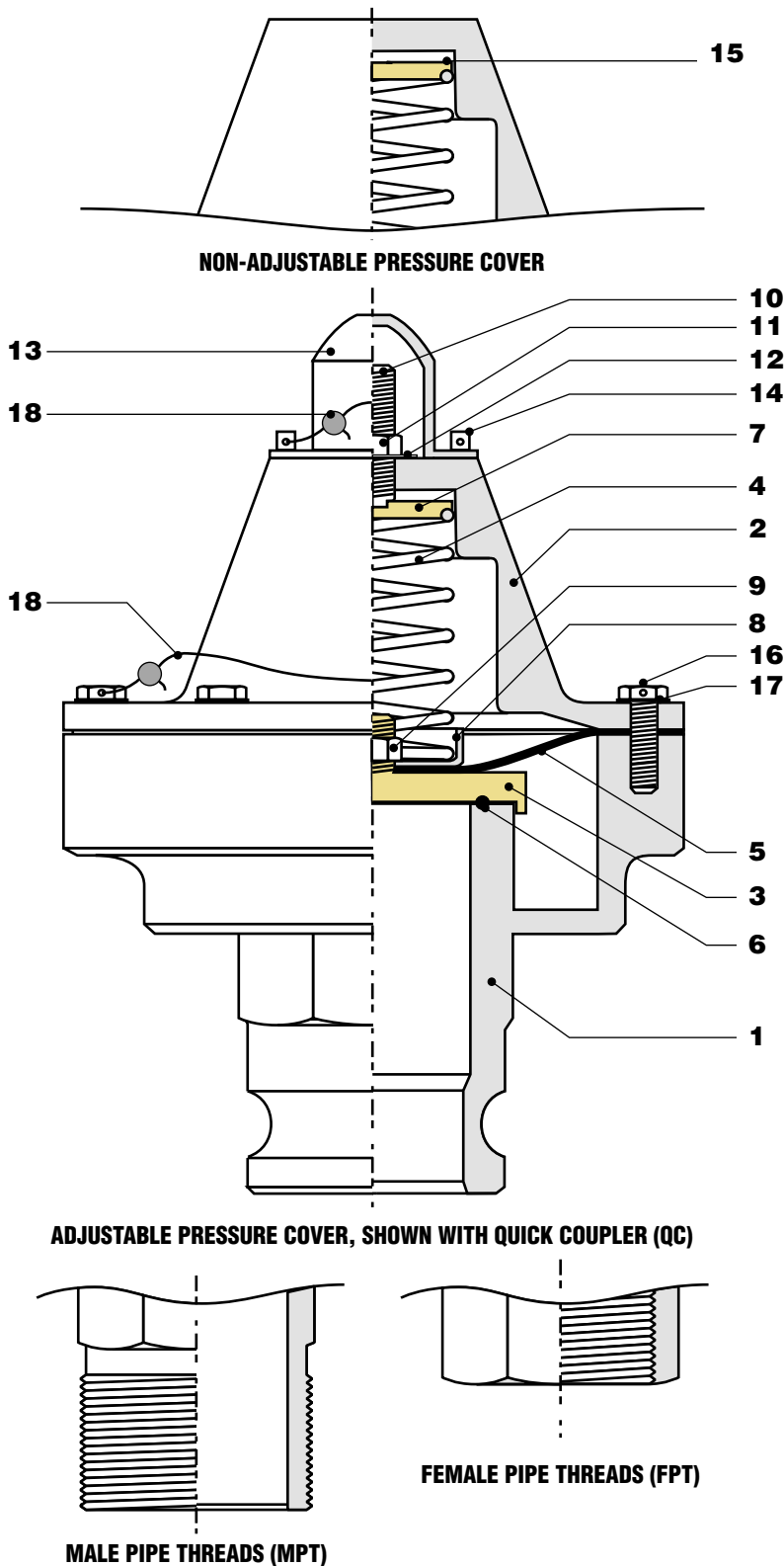
SURE SEAL INCORPORATED IS PROUD TO BE

**ISO 9001**  
certified

**SURE SEAL**  
INCORPORATED 

Making a big difference to your bottom line.

# Sure Seal Series 2000 Pressure Relief Valves



## ADJUSTABLE PRESSURE MODELS

Part #	Diaphragm Material	Inlet
RV-2100-#	Standard	2" FPT
RV-2150-#	High Temperature	2" FPT
RV-2300-#	Standard	2" MPT
RV-2350-#	High Temperature	2" MPT
RV-2500-#	Standard	2" QC
RV-2550-#	High Temperature	2" QC

Note- Add required PSI to part number when ordering, (example: RV-2100-15 is 15 PSI Model)

## FIXED PRESSURE MODELS

Part #	Diaphragm Material	Inlet
RV-2200-#	Standard	2" FPT
RV-2250-#	High Temperature	2" FPT
RV-2400-#	Standard	2" MPT
RV-2450-#	High Temperature	2" MPT
RV-2600-#	Standard	2" QC
RV-2650-#	High Temperature	2" QC

Note- Add required PSI to part number when ordering, (example: RV-2100-15 is 15 PSI Model)

Item	Part	Material
1	Body	Aluminum
2	Cover	Aluminum
3	Poppet	Brass
4	Spring, Standard	Music Wire Plated
4	Spring, High Temp	Stainless Steel 17-7
5	Diaphragm, Standard	Buna-N, Black
5	Diaphragm, High Temp	Silicone, Red
6	Seat Seal, Standard	Buna-N
6	Seat Seal, High Temp	Viton
7	Upper Spring Seat	Steel, Plated
8	Lower Spring Seat	Steel, Plated
9	Poppet Nut	Steel, Plated
10	Adj. Set Screw	Steel, Plated
11	Adj. Screw Lock	Steel, Plated
12	Adj. Screw Lockwasher	Steel, Plated
13	Adj. Screw Cap	Aluminum
14	Cap Screw	Steel, Plated
15	Spacer Washer	Steel, Plated
16	Cover Screw	Steel, Plated
17	Cover Lockwasher	Steel, Plated
18	Seal Wire	Stainless Steel



Making a big difference to your bottom line.

Rt. 2, Box 2242 • Mineral Point, Missouri 63660

**1-800-382-1604**

(573) 438-5000 • Fx (573) 438-4853

www.suresealinc.com • ssi@suresealinc.com

SURE SEAL INCORPORATED IS PROUD TO BE



The data represented in this brochure is for general information only. Manufacturer is not responsible for acceptability of these products in regard to individual system requirements. For specific performance data and correct materials selection, please contact your Sure Seal Dealer. ©1999 Sure Seal, Incorporated • Printed in USA.